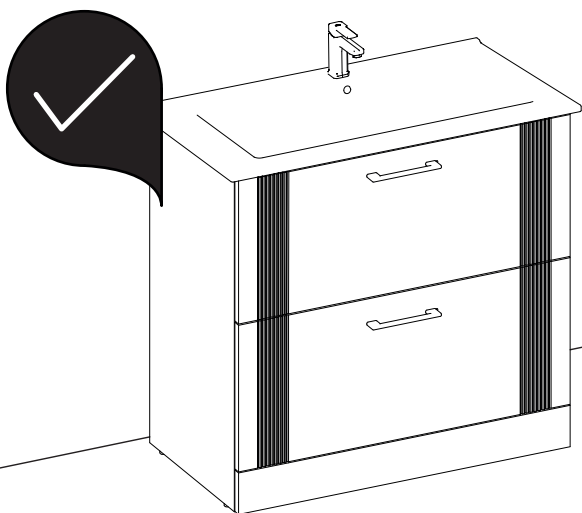
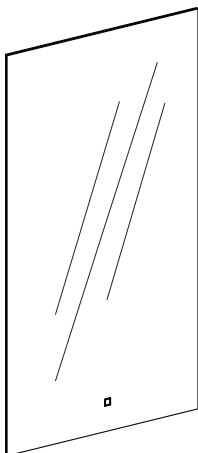


# CRANHAM

Wash-Basin Cabinet



**GB**

Please read this manual carefully before assembling your furniture.

---

**GB**

## Product Care and Safety

Avoid chemical cleaners. Products should not come into contact with ammonia, acids, strong detergents, hair dyes, or chlorine. Ensure you work on a flat and clean surface during assembly. When securing the furniture, mark the solid points on the wall. Choose the drill bit for wall mounting according to the wall type.

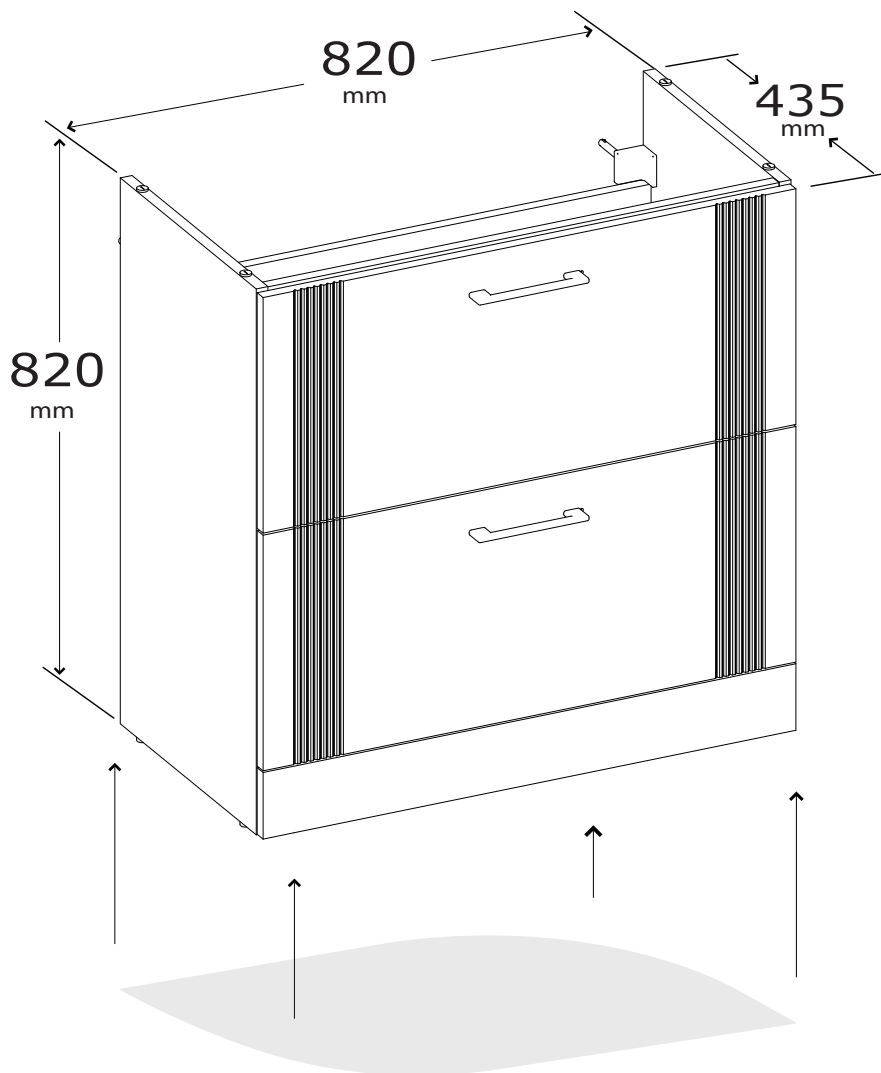
The diameter of the drill bit for concrete should be 6-8 mm. Clean the surfaces of the product that will come into contact with the sink. First, apply silicone to the areas where the sink will rest. After placing the sink on the product, apply an equal amount of silicone between the sink and the wall and allow it to dry for 24 hours.

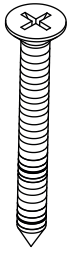
This bathroom sink does not offer a safety drain.

If needed, we suggest to apply a permanent-drain, or clou system. Available at your nearest hardware store.



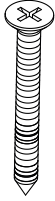
30-40 Minute





1003607

2x



1003622

4x



1003749

2x



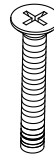
1003644

18x



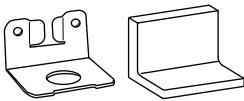
1003529

2x



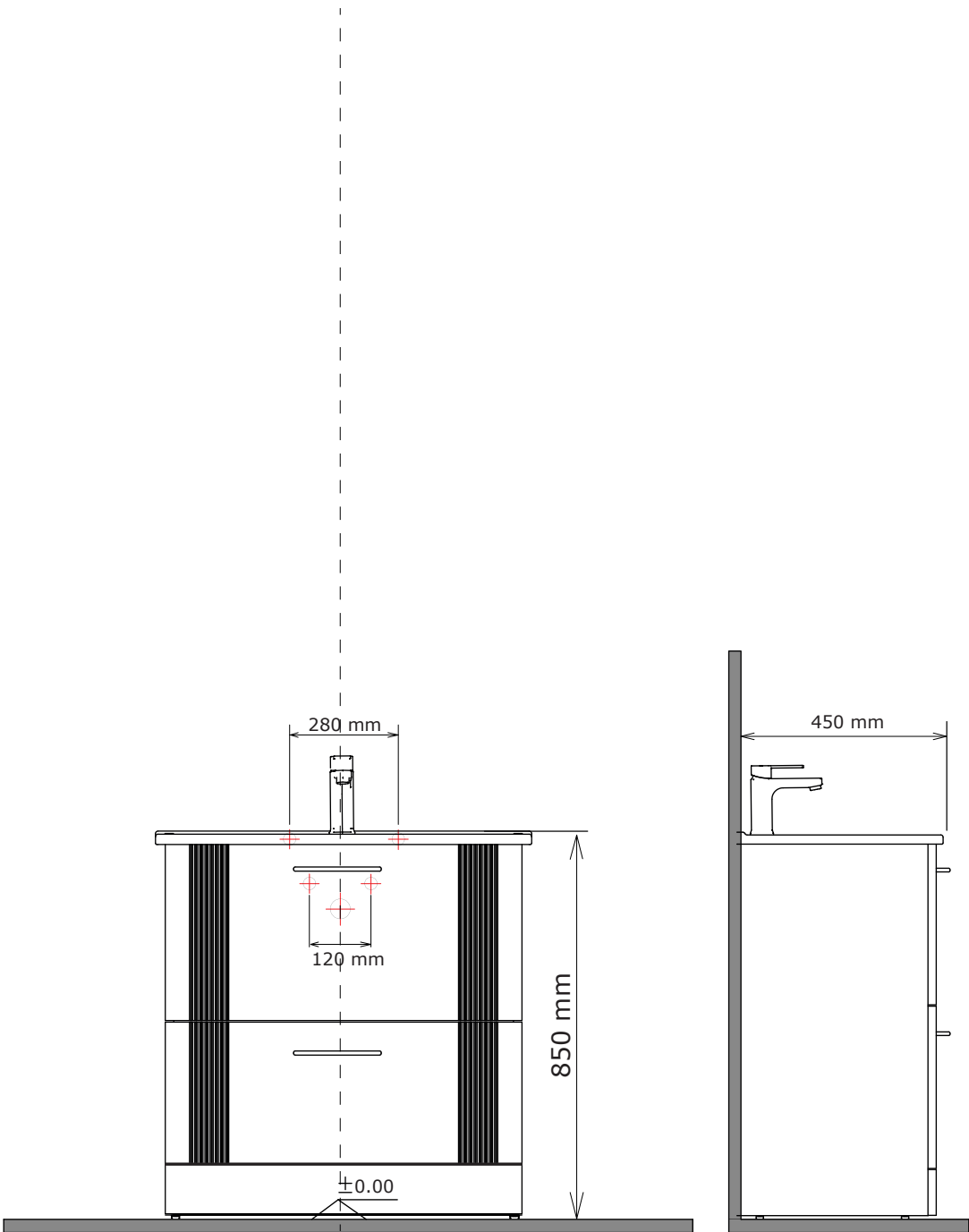
1003665

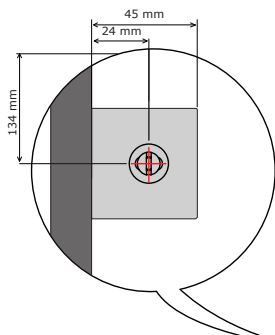
4x



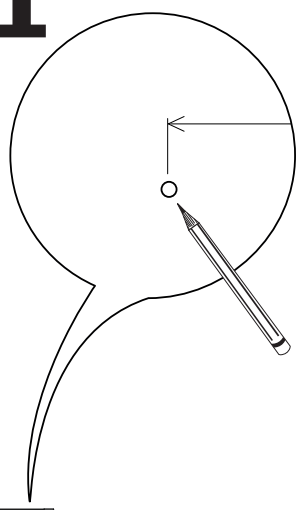
1003754

2x

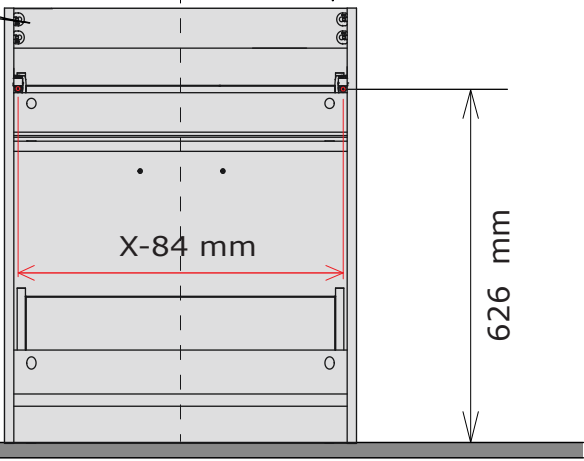


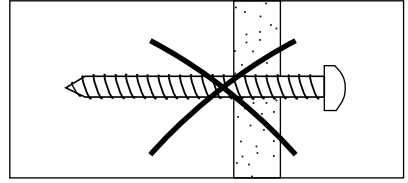
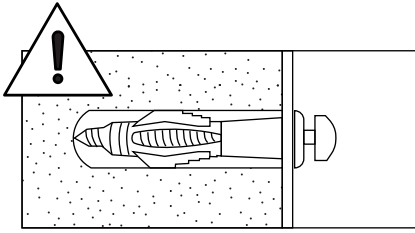


**1**

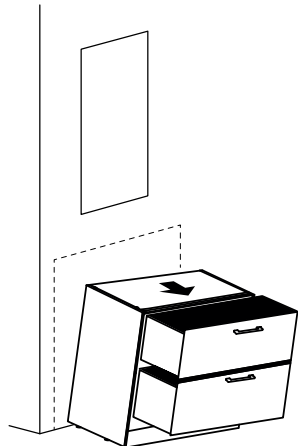
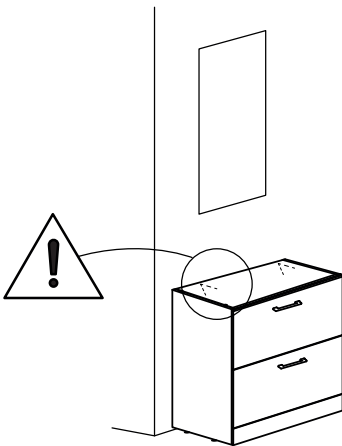
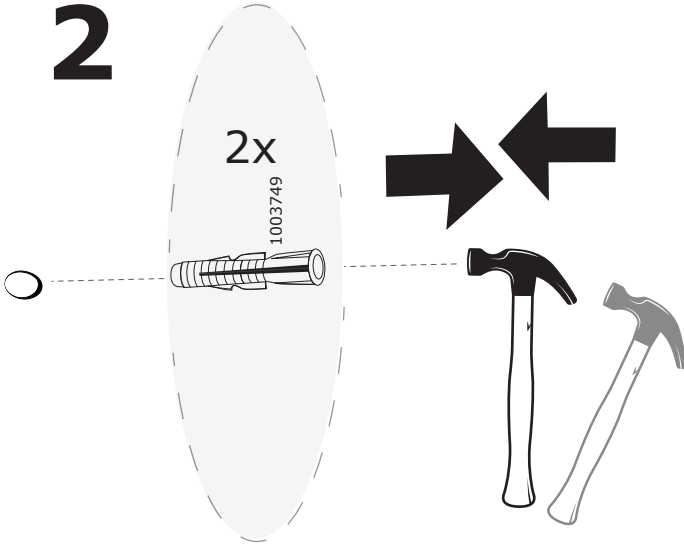


cm	mm
85	820

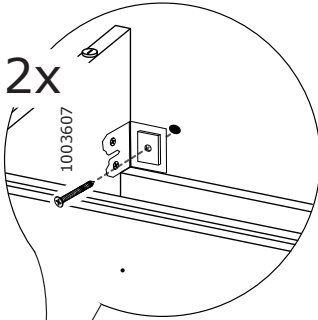




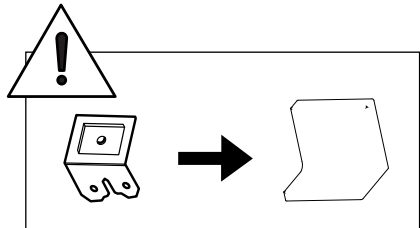
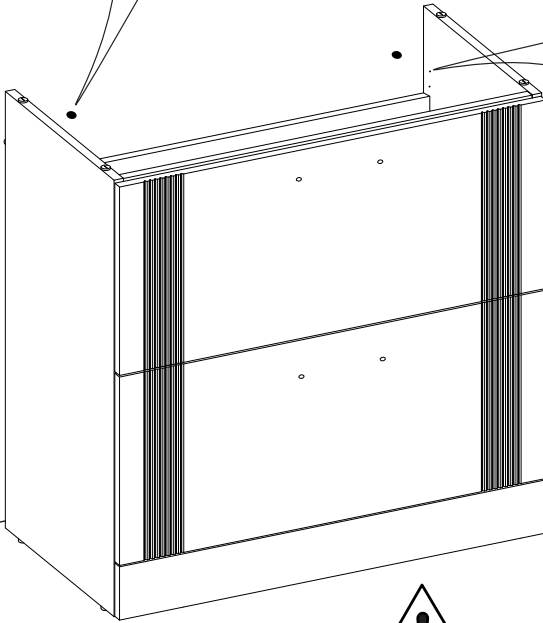
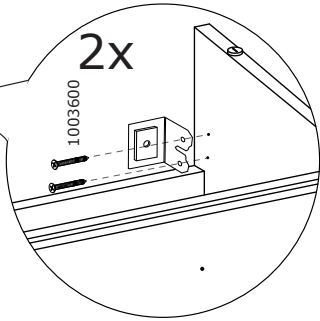
**2**



4



3



**5**

